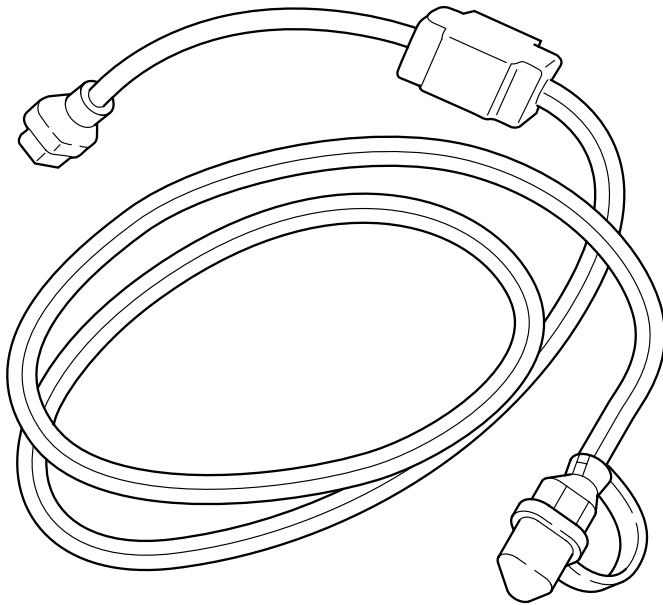




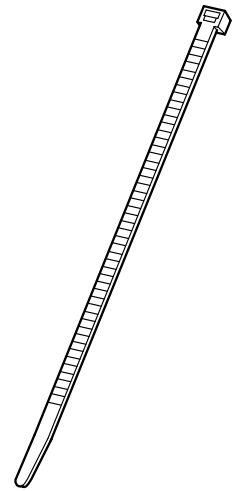
DODGE RAM, DURANGO, MAGNUM/CHRYSLER 300N—5.7L Engine Block Heater

MOPAR®

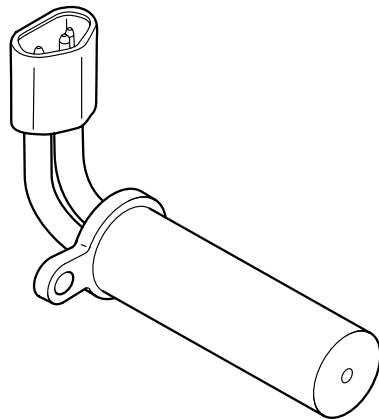
NOTE TO INSTALLER: Kit parts shown can be installed on Dodge Ram (page 2), Dodge Durango (page 3), and Dodge Magnum/Chrysler 300N (page 4).



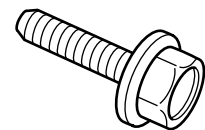
A



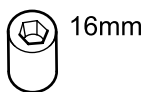
B 6x



C



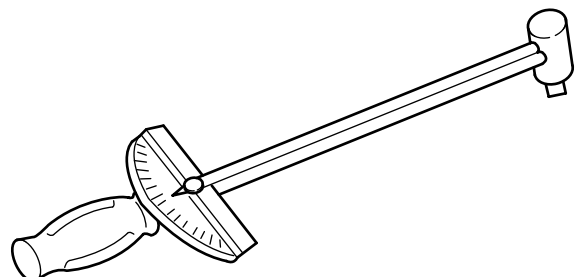
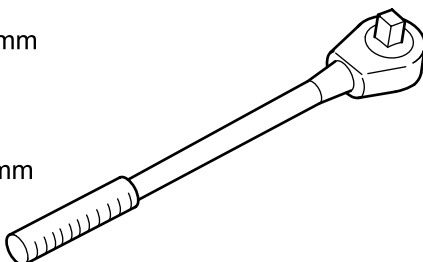
D



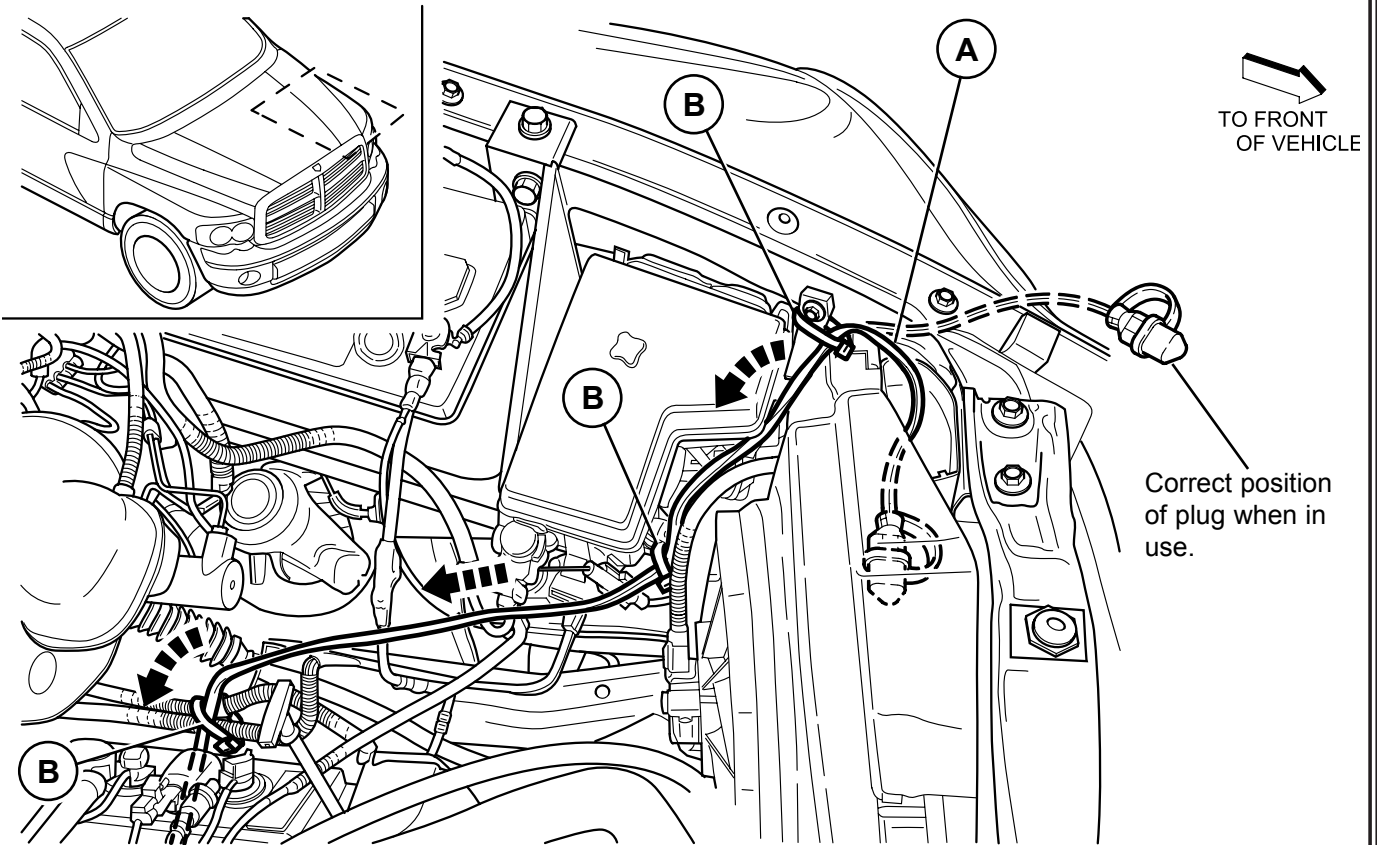
16mm



10mm

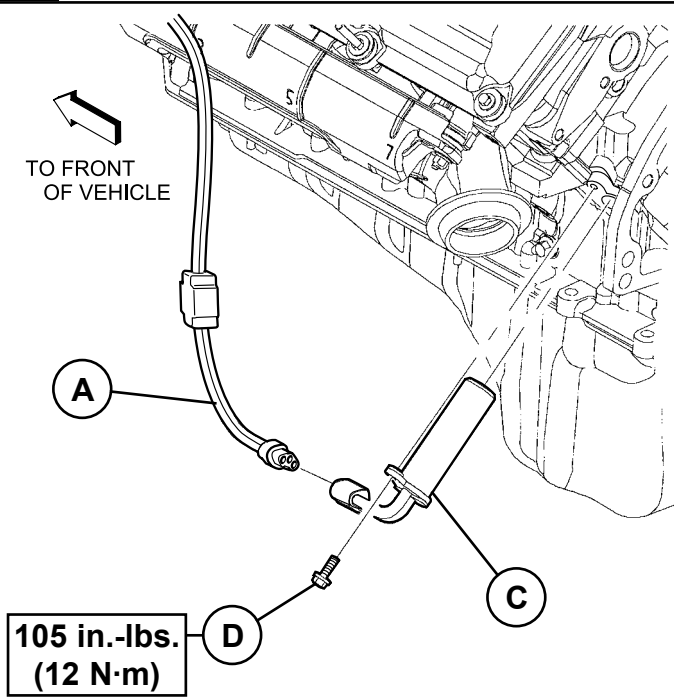


DODGE RAM—5.7L



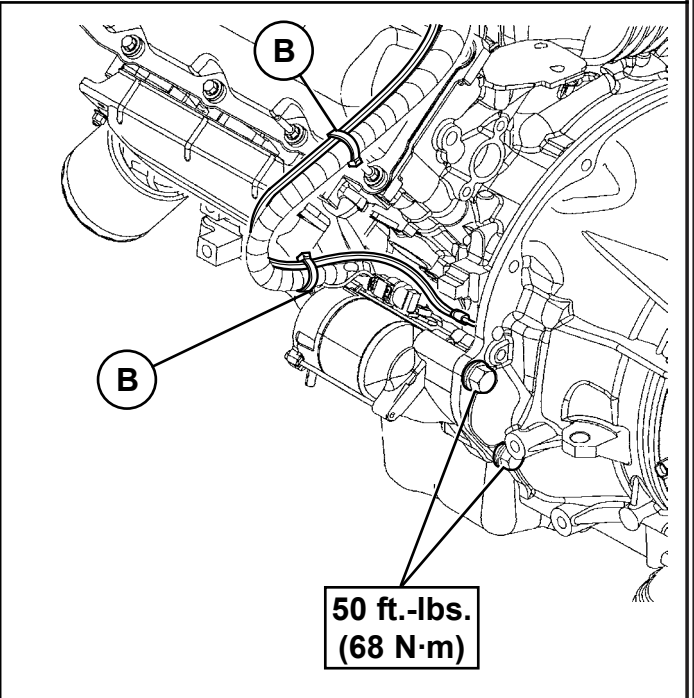
1

Open the hood. Position cordset plug as shown. Route cordset down into the left (driver's side) of the engine compartment. Keep away from any sharp edges, heat sources, or moving parts. Secure cordset as shown with supplied tie straps.



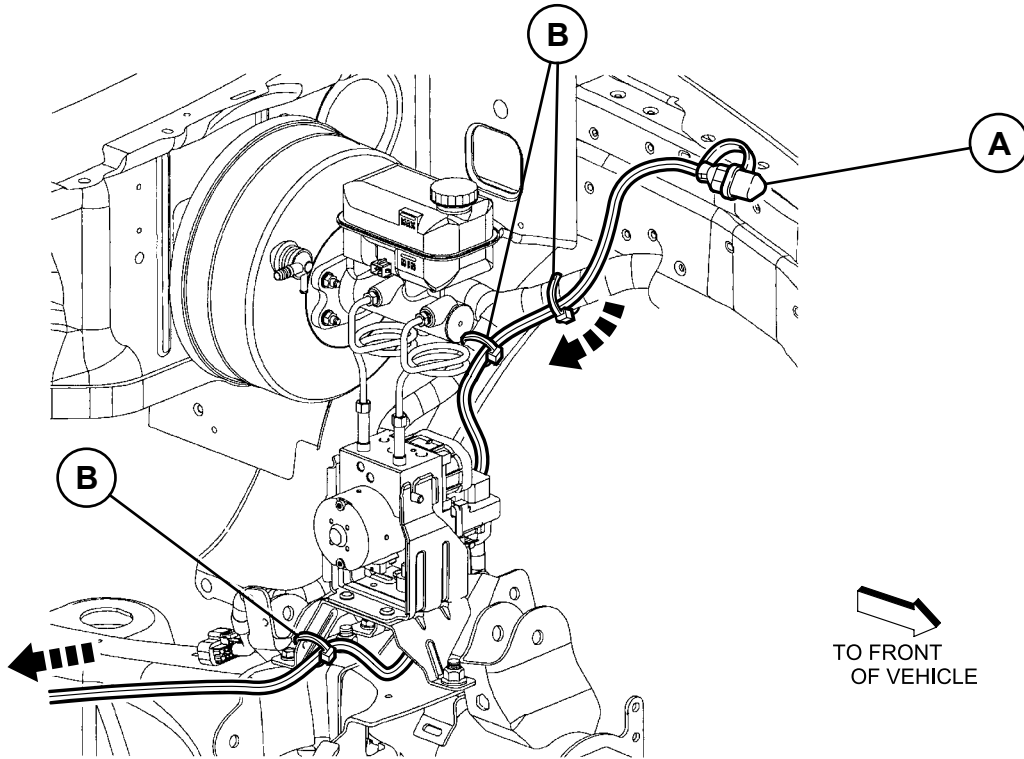
2

Remove/do not disconnect the engine starter motor. Install block heater to open port in the engine block. Firmly plug-in the cordset.

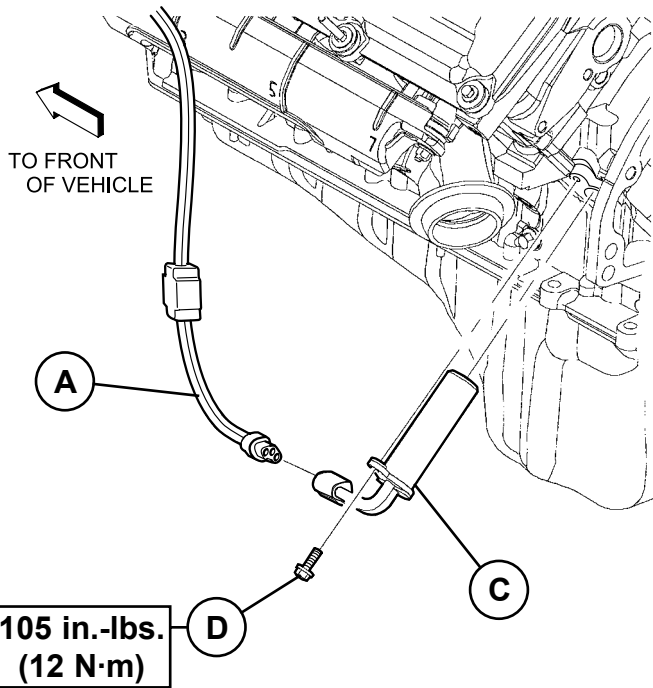


3

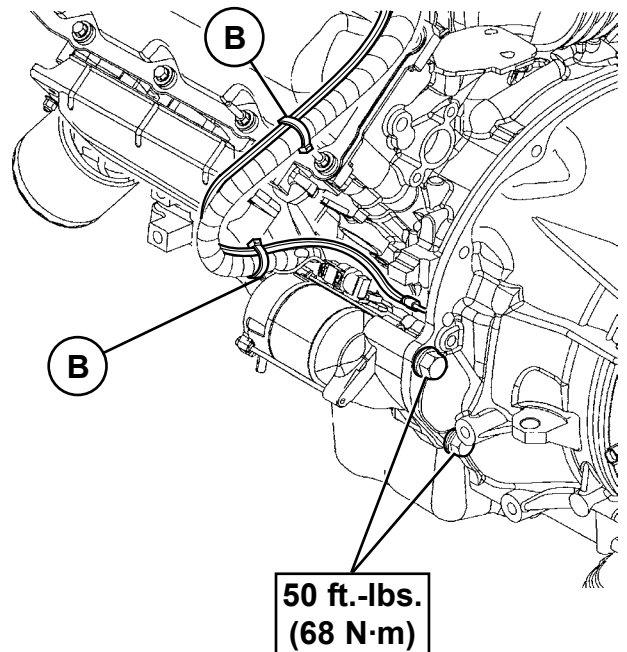
Re-install the engine starter motor. Secure cordset to the starter motor harness with remaining tie straps.



1 Open the hood. Position cordset plug as shown. Route cordset down into the left (driver's side) of the engine compartment. Keep away from any sharp edges, heat sources, or moving parts. Secure cordset as shown with supplied tie straps.



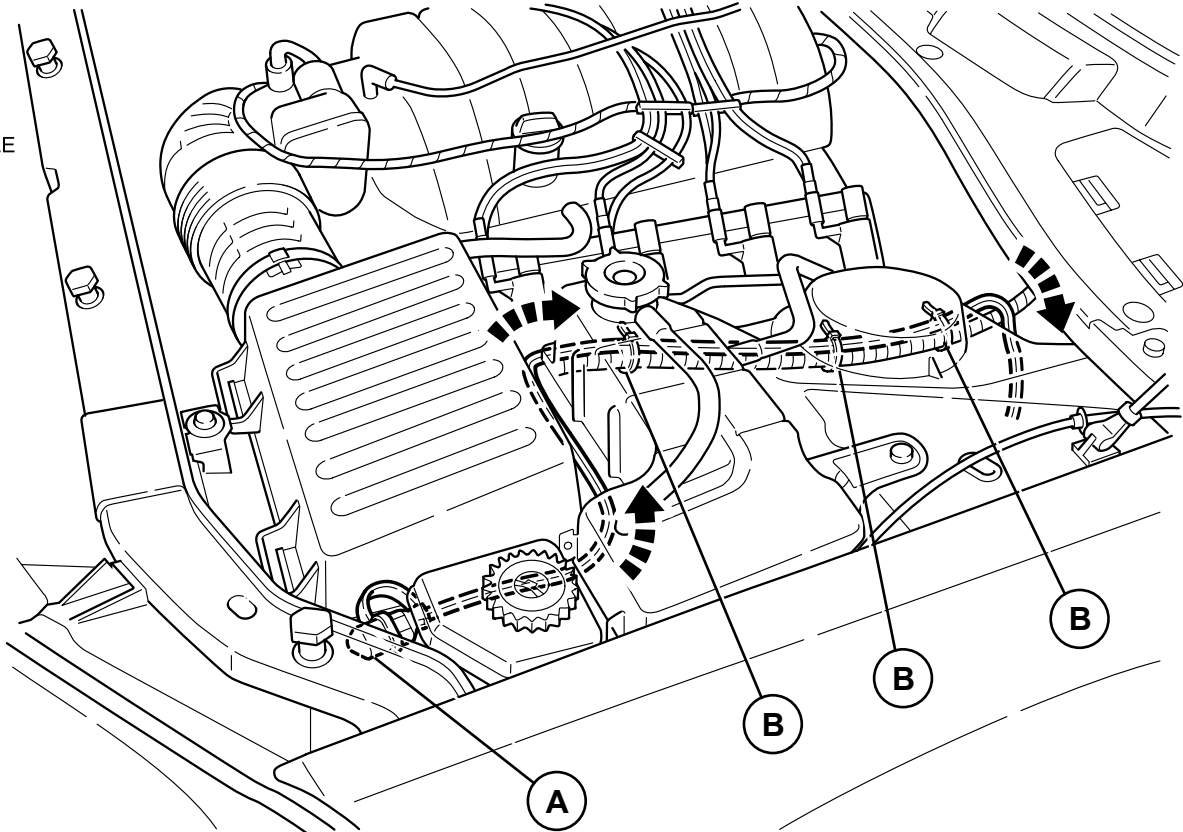
2 Remove/do not disconnect the engine starter motor. Install block heater to open port in the engine block. Firmly plug-in the cordset.



3 Re-install the engine starter motor. Secure cordset to the starter motor harness with remaining tie straps.

DODGE MAGNUM/CHRYSLER 300N—5.7L

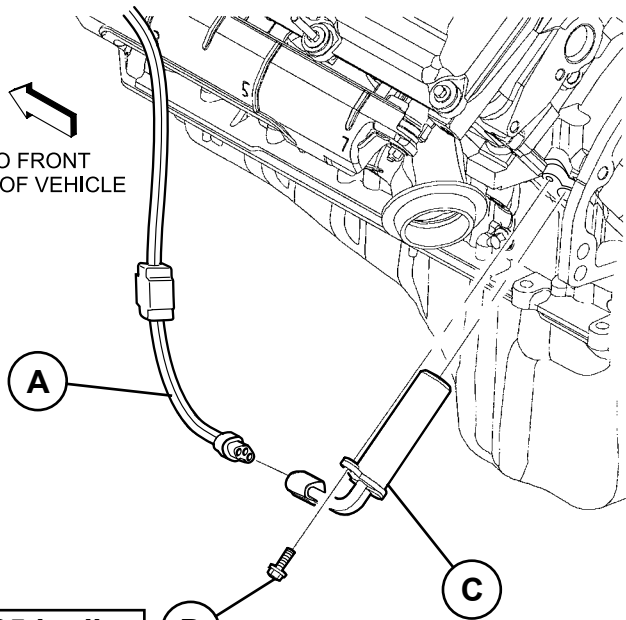
TO FRONT
OF VEHICLE



1 Open the hood. Position cordset plug as shown. Route cordset down into the left (driver's side) of the engine compartment. Keep away from any sharp edges, heat sources, or moving parts. Secure cordset as shown with supplied tie straps.

1

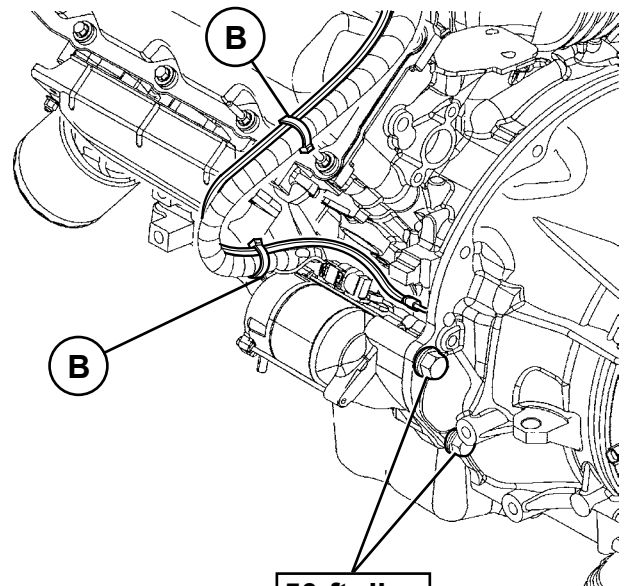
TO FRONT
OF VEHICLE



105 in.-lbs.
(12 N·m)

2 Remove/do not disconnect the engine starter motor. Install block heater to open port in the engine block. Firmly plug-in the cordset.

2



50 ft.-lbs.
(68 N·m)

3 Re-install the engine starter motor. Secure cordset to the starter motor harness with remaining tie straps.

3